

**CL-250** | Servo Turret

**ML-250** | Power Turret

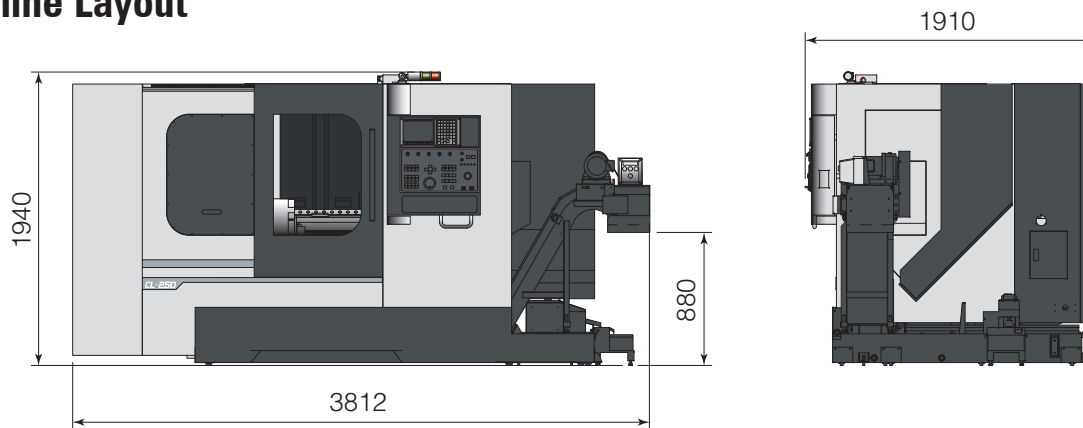
**Heavy-duty Parts Machining**  
**Programmable Tailstock**  
**Superb Surface Finish**

- This series is designed for heavy-duty parts of 400mm in diameter and 600mm in length.
- Equipped with either an 8" or 10" hydraulic chuck with a programmable tailstock for long shaft machining capability.
- This machine is offered with either a servo or powered turret for maximum versatility, 12 station tool capacity and a 3-disc clutch gear positioning to maintain high accuracy and long-life use.
- Ultra rigid 45° slant bed structure with wide spanning linear guideways ensures long-term rigidity and machining accuracy during heavy-duty machining.



# CL-250 / ML-250

## Machine Layout



Unit: mm

## Specifications

Model		CL-250		ML-250
Control Unit	Controller	FANUC	MITSUBISHI	FANUC
<b>Capacity</b>	Length of Spindle Nose to Turret	713mm		713mm
	Spindle Swing Over Bed Slide	Ø590mm		Ø590mm
	Turret Swing Over Bed	Ø560mm		Ø560mm
	Max. Turning Length	600mm		600mm
	Max. Turning Dia.	400mm		400mm
<b>Axes Specification</b>	X/Z-Axis Travel	225 / 600mm		225 / 600mm
	X/Z-Axis Motor	1.8kW / 1.8kW	2.2kW / 2.2kW	1.8kW / 1.8kW
	X/Z-Axis Rapid Traverse	20 / 24m/min		20 / 24m/min
<b>Spindle</b>	Spindle Chuck	10"		8"
	Spindle Motor	15 / 18.5kW	11 / 15kW	15 / 18.5kW
	Max. Spindle Motor Torque	236Nm	180Nm	236Nm
	Spindle Bore	88mm		88mm
	Max. Bar Feeding Dia.	78mm		53mm
	Max. Spindle Speed	3500rpm		4000rpm
	Spindle Nose	A2-8		A2-6
<b>Turret</b>	No. of Tool	12		12
	Turret Motor	0.85kW		0.85kW
	Max. Live Tool Motor	-		3.7kW
	Max. Live Tool Speed	-		6000rpm
	O.D. Tool Size	□25mm		□25mm
	I.D. Tool Size	Ø40mm		Ø32mm
<b>Tailstock</b>	Tailstock Travel	600mm		600mm
	Quill Stroke	140mm		140mm
	Quill Dia.	Ø85mm		Ø85mm
<b>Power</b>	Coolant Pump	0.75kW x 1		0.75kW x 2
	Hydraulic Pump	2 HP / 1.5kW		2 HP / 1.5kW
<b>Tank Capacity</b>	Coolant Tank Capacity	340L		340L
	Hydraulic Tank Capacity	20L		20L
<b>Machine</b>	Machine Size (LxWxH)	3812x1910x1940 mm		3812x1910x1940 mm
	Weight	5200kg		5200kg

\* Design and specs subject to change without notice.

